

Use & Care Guide
Manual de Uso y Cuidado
Manuel d'entretien et d'utilisation

Kenmore^{®/MD}

SPOTLITE[™]

Portable Carpet Spot and Pet Stain
Cleaner

Limpiadora de Alfombras Portátil
Para Salpicaduras y Manchas de
Mascotas

Nettoyeur de Tapis Portatif Pour
Taches et Souillures d'animaux
Familiers

Model/Modelo/Modèle: KW2005

Vacuum Cleaner Help Line:
1-877-531-7321 (US) / 1-844-608-3081 (CA)
8:00am-5:00pm EST, M-F
www.kenmorefloorcare.com



TABLE OF CONTENTS

Before Using Your New Carpet Cleaner.....	2
Packing List	2
Important Safety Instructions.....	3-4
Double Insulation Instructions.....	5
Carpet Cleaner Warranty.....	6
Parts and Features.....	7
Assembly Instructions	8-9
Operating Instructions	9-12
Performance/Safety Features	13
Maintenance and Care	13-15
Troubleshooting	16
Requesting Assistance or Service.....	Back Cover

BEFORE USING YOUR NEW CARPET CLEANER

Read this Use & Care Guide. It will help you assemble and operate your new Kenmore carpet cleaner in the safest and most effective way.

For more information about carpet cleaner care and operation, call the Vacuum Cleaner Help Line at 1-877-531-7321 (US) / 1-844-608-3081 (CA). You will need the complete model and serial numbers when requesting information.

Your carpet cleaner's model and serial numbers are located on the Model and Serial Number Plate. Use the space below to record the model number and serial number of your new Kenmore carpet cleaner.

Model No. _____

Serial No. _____

Date of Purchase _____

Keep this book and your sales check (receipt) in a safe place for future reference.

PACKING LIST

Your KENMORE CARPET SPOT CLEANER is packaged with the following parts and components assembled separately in the carton:

- 1 Spot Vacuum Cleaner
- 1 Tough Stain Tool
- 1 Wide Path Tool
- 1 Use & Care Guide
- 1 8 oz. Carpet Cleaning Formula
- 1 Hose Storage Holder (with 1 screw pre-attached)

IMPORTANT SAFETY INSTRUCTIONS

Read all instructions in this guide before assembling or using your carpet cleaner.

WARNING!

Your safety is important to us. To reduce the risk of fire, electrical shock, injury to persons or damage when using your carpet cleaner, follow basic safety precautions including the following:

- Use your carpet cleaner only as described in this Use & Care Guide. Use only with manufacturer's recommended attachments.
- Fully assemble before operating.
- Operate cleaner only at voltage specified on data plate.
- Do not leave carpet cleaner when plugged in. Unplug from outlet when not in use and before performing maintenance.
- Do not expose to rain. Store indoors.
- Do not immerse. Use only on carpet moistened by cleaning process.
- Do not allow to be used as a toy. Close attention is necessary when used by or near children.
- Do not use with a damaged cord or plug. If carpet cleaner is not working as it should, has been dropped, damaged, left outdoors, or dropped in water, immediately discontinue use and call 1-877-531-7321 (US) / 1-844-608-3081 (CA) for assistance.
- Do not pull or carry by cord, use cord as a handle, close a door on cord, or pull cord around sharp edges or corners. Do not run carpet cleaner over cord. Keep cord away from heated surfaces.
- Do not unplug by pulling on cord. To unplug, grasp the plug, not the cord.
- Do not handle plug or carpet cleaner with wet hands.
- Do not put any objects into openings.
- Do not use with any opening blocked; keep free of dust, lint, hair, and anything that may reduce air flow.
- Keep hair, loose clothing, fingers, and all parts of body away from openings and moving parts.
- Turn off all controls before unplugging.
- Use extra care when cleaning on stairs. To avoid personal injury or damage, and to prevent the carpet cleaner from falling, always place carpet cleaner at bottom of stairs or on floor. Do not place carpet cleaner on stairs or furniture, as it may result in injury or damage.
- Do not put on chairs, tables, etc. Keep on floor.
- Do not use carpet cleaner to pick up flammable or combustible liquids (gasoline, cleaning fluid, perfumes, etc.), or use in areas where they may be present. The fumes from these substances can create a fire hazard or explosion.
- To reduce the risk of health hazards from vapors or dusts, do not vacuum toxic materials.
- Do not use or store near hazardous materials.
- Do not pick up anything that is burning or smoking, such as cigarettes, matches, or hot ashes.
- Do not use carpet cleaner without tanks in place.
- Do not clean over floor electrical outlets.
- Do not use the carpet cleaner to pick up sharp hard objects, small toys, pins, paper clips, etc. They may damage the carpet cleaner or dust cup.

IMPORTANT SAFETY INSTRUCTIONS

- Do not use sharp objects to clean out hose as they can cause damage.
- To help prevent matting and resoiling, avoid contact with carpets until they are dry. Keep children and pets away from carpets until they are completely dry.
- Do not store the carpet cleaner with solution in tanks.
- This carpet cleaner is provided with double insulation. Use only identical replacement parts. See DOUBLE INSULATION INSTRUCTIONS.
- You are responsible for making sure that your vacuum cleaner is not used by anyone unable to operate it properly.

CAUTION

To reduce the risk of injury from moving parts - Unplug before servicing.

WARNING

To reduce the risk of electric shock - Unplug before cleaning or servicing.

SAVE THESE INSTRUCTIONS

Proper assembly and safe use of your carpet cleaner are your responsibilities. Your carpet cleaner is intended for **Household use**. Read this Use & Care Guide carefully for important use and safety information. This guide contains safety statements under warning and caution symbols.

DOUBLE INSULATION INSTRUCTIONS

This carpet cleaner is double insulated, eliminating the need for a separate grounding system. Use only identical replacements parts. Read the instructions for Servicing Double-Insulated Carpet Cleaners before servicing. Use this carpet cleaner as described in this manual. Observe the following warnings that appear on the motor housing of your carpet cleaner.



Double Insulated - Grounding not required - When servicing use only identical replacement parts.

WARNING


To reduce the risk of electric shock - Do not expose to rain. Store indoors.

WARNING

For your own safety, read and understand the Use & Care Guide. Do not run unattended. Do not pick up hot ashes, coals, toxic, flammable or other hazardous materials. Do not use around explosive liquids or vapors.

WARNING

Servicing of Double-Insulated Carpet Cleaners

With a double-insulated carpet cleaner, two systems of insulation are provided instead of grounding. No grounding means is provided on a double-insulated appliance, nor should a means for grounding be added. Servicing a double insulated carpet cleaner requires extreme care and knowledge of the system and should be done only by qualified service personnel. Replacement parts for a double-insulated carpet cleaner must be identical to the parts they replace. Your double-insulated carpet cleaner is marked with the words 'Double Insulated' and the symbol  (square within a square) may also be marked on the appliance.

CARPET CLEANER WARRANTY

LIMITED WARRANTY

FOR ONE YEAR from the date of sale this product is warranted against defects in material or workmanship.

WITH PROOF OF SALE a defective product will be replaced free of charge.

The Kenmore brand is used under license. Direct all claims for warranty service to:
1-877-531-7321 (US) / 1-844-608-3081 (CA).

This warranty is void if this product is ever used for other than private household purposes. This warranty gives you specific legal rights, and you may also have other rights which vary from state to state.

Cleva North America, Inc., Greenville SC 29607

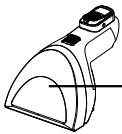
PARTS AND FEATURES

It is important to know your carpet cleaner's parts and features to assure its proper and safe use. Review these before using your carpet cleaner.

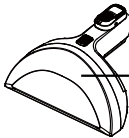
REPLACEMENT PARTS

Item	Part No.(US)	Part No.(CA)
3.5" Tough Stain Tool	591033101	591033101
6.5" Wide Path Tool	591033102	591033102

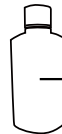
To order a replacement part, call 1-877-531-7321 (US) / 1-844-608-3081 (CA).



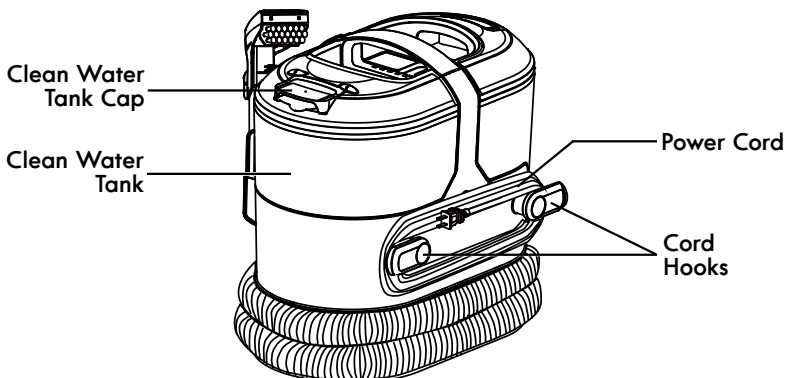
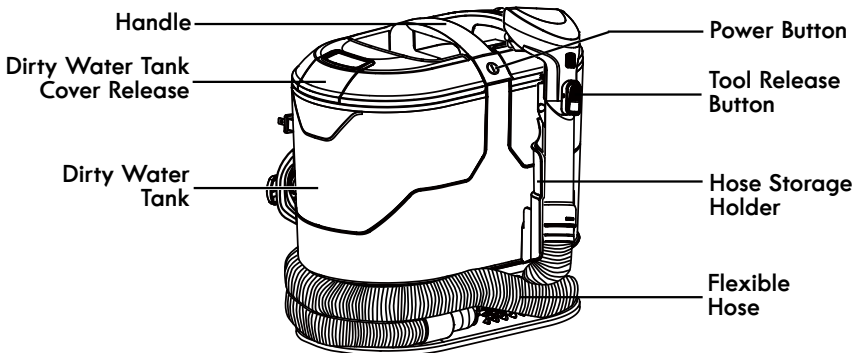
Tough Stain Tool



Wide Path Tool



Carpet Cleaning Formula





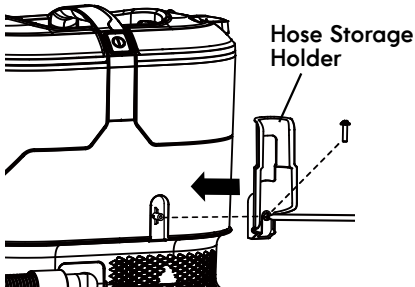
Please pay special attention to these hazard alert boxes, and follow any instructions given. **WARNING** statements alert you to such hazards as fire, electric shock, burns and personal injury. **CAUTION** statements alert you to such hazards as personal injury and/or property damage.

ASSEMBLY INSTRUCTIONS

Before assembling the carpet cleaner, check the **PACKING LIST** (page 2). Use this list to verify that you have received all the components of your new Kenmore Carpet Spot Cleaner.

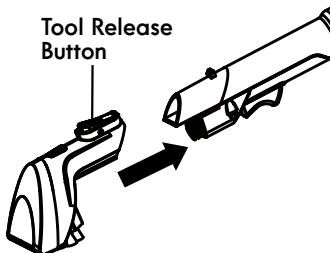
1. Loosen the screw pre-attached on the hose storage holder. Secure the hose storage holder onto the carpet cleaner body with the screw.

NOTE: Tighten the screw with a Phillips screwdriver. Ensure that the screw is secured.

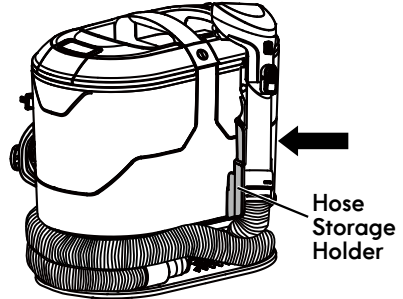


2. Select preferred tool and slide it onto the hose end until you hear a 'click'.

To remove: Press the tool release button and pull out the tool.

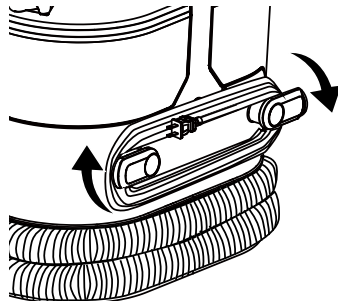


NOTE: Snap the end of the hose with the tool installed into the hose storage holder when not in use.



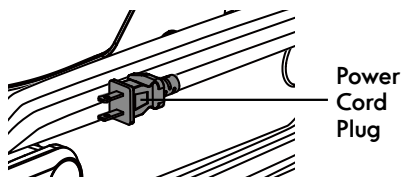
3. Make sure both cord hooks are in the proper position as shown. Wrap the power cord loosely around the cord hooks.

NOTE: Make sure to wrap the power cord around the right cord hook first, and then around the left cord hook to avoid damaging the power cord.



ASSEMBLY INSTRUCTIONS

4. Lock power cord plug onto the power cord.



WARNING

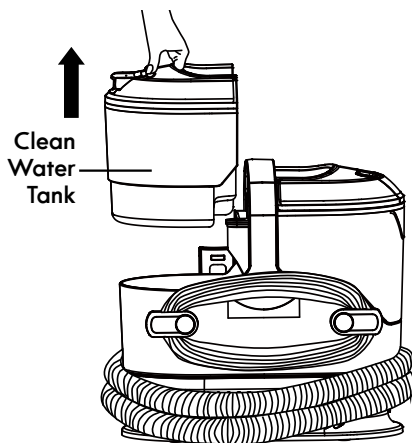
Electrical Shock and Personal Injury Hazard

Wrapping the cord too tightly with excessive stress on the cord may cause cord damage. A damaged cord is an electrical shock hazard and could cause personal injury or damage.

OPERATING INSTRUCTIONS

FILLING THE CLEAN WATER TANK

1. Lift up the clean water tank from the side of the unit.



2. Open the clean water tank cap. Fill the tank with room temperature water to the desired water fill line (for **SMALL** or **LARGE** messes). For a small job, add 3 cap fills of cleaning formula to the tank. For a large job, add 9 cap fills of cleaning formula.

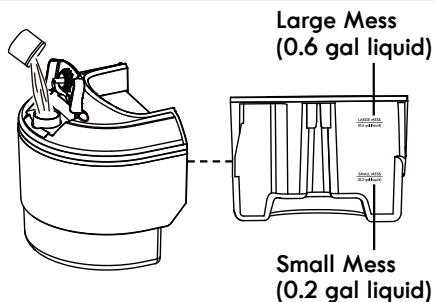
Room Temperature Water	Kenmore Cleaning Formula
Small mess – bottom fill line (0.2 gal liquid)	3 caps
Large mess – top fill line (0.6 gal liquid)	9 caps

Follow manufacturer's instructions when using other brands of cleaning solutions.



CAUTION

Do not fill with water above 104°F (40°C).

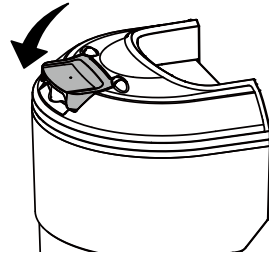


FILLING THE CLEAN WATER TANK

NOTE: An 8 oz. (236ml) bottle of cleaning formula is provided with this carpet cleaner. Ensure the cleaning formula and water are mixed correctly. Water must be at room temperature. Once depleted, the cleaning formula can be replaced by a high-quality liquid carpet cleaning solution that can be purchased from a local retailer.

NOTE: Using more than the recommended amount of cleaning formula may cause excessive foaming. **KEEP OUT OF REACH OF CHILDREN.** In case of eye contact, thoroughly flush with cold water. If irritation persists, consult a physician.

3. Snap the clean water tank cap back into place.



4. Slide the clean water tank back into the unit, pressing down firmly until it feels secure.

USING THE CARPET SPOT CLEANER

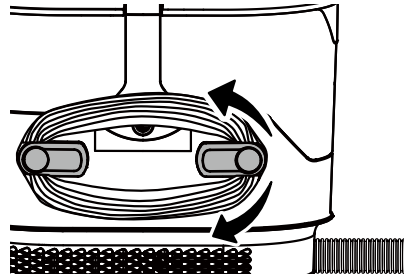
NOTE: Before using the carpet cleaner, use a vacuum to remove loose dirt from area to be cleaned. Test a small hidden area for colorfastness. Gently rub surface with a dampened white cloth. Wait 10 minutes and check for color removal with a white paper towel. If color changes, do not use.

NOTE: To prevent staining, use plastic or aluminum foil to protect wood or metal surfaces from possible water spray.

To protect the wood floors underneath rugs or carpet, place waterproof material (e.g. plastic) underneath them before cleaning.

1. Unwrap the hose from the unit. Select the preferred tool and make sure it is attached securely.
- 3.5" Tough Stain Tool: Use for carpet stains, furniture and other hard-to-reach surfaces.
- 6.5" Wide Path Tool: Use for cleaning stairs and larger furniture areas.

2. Turn the cord hooks inward from either side to release the power cord.



WARNING

To reduce the risk of electric shock, this appliance has a polarized plug (one blade is wider than the other). This plug will fit in a polarized outlet only one way. If the plug does not fit fully in the outlet, reverse the plug. If it still does not fit, contact a qualified electrician to install the proper outlet. Do not change the plug in any way.

USING THE CARPET SPOT CLEANER

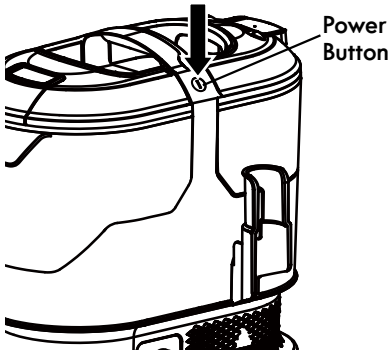


WARNING

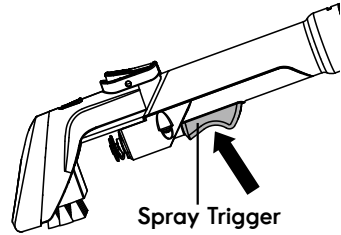
Personal Injury and Product Damage Hazard

- When any abnormality/failure occurs, stop using the product immediately and disconnect the power plug.
- **DO NOT** clean over floor electrical outlets. Water will drip from the tool after use and may puddle.

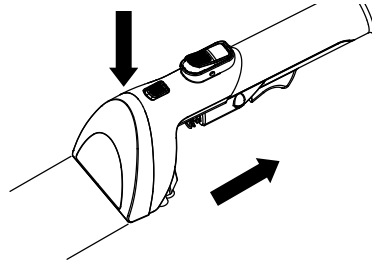
3. Detach the power cord plug from the power cord. Plug the power cord plug into an outlet located near the floor.
4. Press the power button to turn the vacuum cleaner on.



5. Hold the tool about 1 inch over the stain to be cleaned. Squeeze the spray trigger to spray a generous amount of cleaning solution over the soiled area. Use the brush on the tool to agitate stains by scrubbing in a back and forth motion.



6. To lift away the stain, apply downward pressure on the front of the cleaning tool and pull the tool backward slowly to vacuum up excess dirty liquids. Repeat as necessary.



7. Empty the dirty water tank when the dirty liquid reaches the "Max Fill" line and there is a loss in suction. See instructions in the **EMPTYING THE DIRTY WATER TANK** (page 12).
8. Once you have completed cleaning, press the power button; unplug the power cord plug from the outlet.
9. Turn the cord hooks to the proper position and wrap the cord loosely around the cord hooks.

EMPTYING THE DIRTY WATER TANK



WARNING

Always unplug power cord from electrical outlet before performing any service on carpet cleaner.

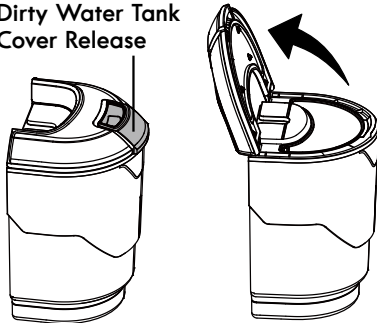
Empty the dirty water tank when the dirty liquid reaches the "Max Fill" line and there is a loss in suction. During normal use, debris may accumulate in the dirty water tank. In order to keep the carpet cleaner functioning properly, rinse out the dirty water tank with clean water after each use.

1. Lift up the dirty water tank from the side of the unit.



2. Pull the dirty water tank cover release horizontally, and open the cover.

Dirty Water Tank Cover Release

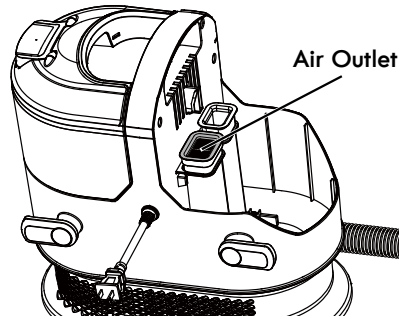


3. Empty the tank. Drain liquids into a suitable receptacle or drain. Rinse the tank thoroughly with clean water. Allow the tank to air dry before reinstalling.

DO NOT wash in the dishwasher.

DO NOT install damp.

4. Close the tank cover. Push back the cover release to original place to secure the cover.
5. Before replacing tank back into the unit, remove any debris from the air outlet area as shown.



6. Replace the dirty water tank back into the unit, pressing down firmly until it feels secure.

PERFORMANCE/SAFETY FEATURES

THERMAL PROTECTOR

This carpet cleaner has a thermal protector which automatically trips to protect it from overheating. When the thermal protector activates, the attached tool will stop spraying.

To reset thermal protector: Turn the carpet cleaner off and unplug the power cord from the outlet to allow the carpet cleaner to cool and the thermal protectors to reset.

Empty the dirty water tank. Also check for any obstructions if necessary. Wait approximately 30 minutes before restarting carpet cleaner.

If the problem persists, contact the vacuum cleaner help line for assistance.

MAINTENANCE AND CARE

Always follow all safety precautions when performing maintenance to the carpet cleaner.



WARNING

Electrical Shock and Personal Injury Hazard

Disconnect electrical supply before servicing or cleaning the carpet cleaner. Failure to do so could result in electrical shock or personal injury from carpet cleaner suddenly starting.

CLEANING EXTERIOR AND ATTACHMENTS

1. Turn off and unplug carpet cleaner. DO NOT drip water on carpet cleaner.
2. To clean exterior, or to reduce static electricity and dust build-up, wipe outer surface with a clean, soft cloth that has been dipped in a solution of mild liquid detergent and water, then wrung dry. Wipe dry after cleaning.

NOTE: Wash attachments in warm soapy water, rinse and air dry. Do not clean in dishwasher.

CARPET CLEANER STORAGE



WARNING

Electrical Shock and Personal Injury Hazard

Wrapping the cord too tightly puts stress on the cord and can cause cord damage. A damaged cord is an electrical shock hazard and could cause personal injury or damage.

1. Place flexible hose and attachments in storage position.
2. Gather the cord and wrap it loosely around the cord hooks. Lock plug retainer onto the power cord.

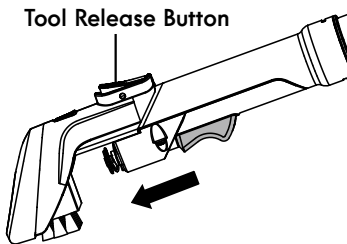
3. Empty the clean water tank (if necessary). Rinse it out before replacing on the unit. Open the clean water tank cover to allow it to air dry.
4. Empty the dirty water tank then rinse, clean and dry before placing back on the unit. The wide tank opening is designed to fit your hand inside to thoroughly clean, rinse and dry.
5. Store the carpet cleaner in a dry, indoor area at room temperature.

CLEANING TOOLS

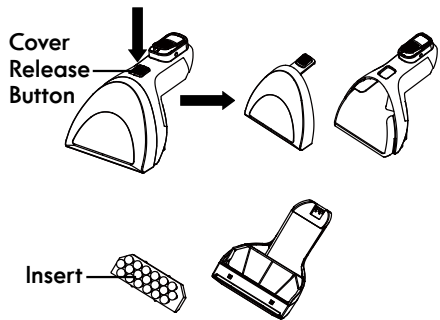
It is recommended to clean tools with water after each use.

NOTE: When the tools are worn or broken, replace the tools. To purchase tools, call 1-877-531-7321 (US) / 1-844-608-3081 (CA).

1. Press the tool release button to remove the tool from the hose.



2. Press the cover release button on the tool and pull off tool cover. Remove the insert by pulling it off with force, if necessary.

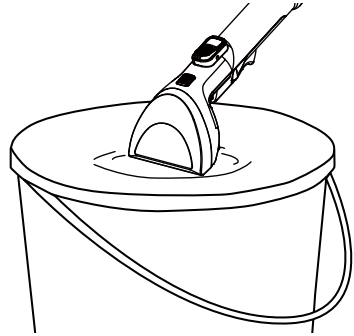


3. Rinse thoroughly with clean water. Allow the parts to dry before reinstalling.
DO NOT wash in the dishwasher.
DO NOT install damp.
4. Reinstall the tool cover and the insert back into place until a click is heard.

CLEANING THE FLEXIBLE HOSE

It is recommended to clean the hose with clean water after each use.

1. Empty the dirty water tank. Ensure both the clean water tank and dirty water tank are placed correctly on the unit.
2. Install the tool onto the hose end.
3. Suck up clean water from a bowl (or bucket) to rinse the hose. Lift the end of the hose and stretch out to ensure all water is cleared.



TROUBLESHOOTING

Review this table to find do-it-yourself solutions for minor performance problems. Any service needed, other than maintenance described in this Use & Care Guide, should be performed by a qualified service agent.



WARNING

Disconnect electrical supply before performing maintenance to the carpet cleaner. Failure to do so could result in electrical shock or personal injury.

PROBLEM	POSSIBLE CAUSE	SOLUTION
The cleaner will not run.	Unplugged at wall outlet.	Plug in firmly.
	Defective wall outlet.	Check with a good appliance or lamp. Be sure the power cord plug is fully plugged into a good wall outlet.
	The motor is damaged.	Call 1-877-531-7321 (US) / 1-844-608-3081 (CA) for assistance.
Poor job of dirt pick-up.	Dirty water tank is not installed correctly.	Check the dirty water tank for correct installation. Ensure it is installed in place.
	Dirty water tank is full.	Empty the dirty water tank.
	The flexible hose is clogged.	Clean the hose. Follow instructions on page 15.
Water escapes from the cleaner.	Dirty water tank is full.	Empty the dirty water tank.
	Dirty water tank is not installed correctly.	Check the dirty water tank for correct installation. Ensure it is installed in place.
	Clean water tank is not installed correctly.	Check the clean water tank for correct installation. Ensure it is installed in place.
The cleaner will not dispense.	Clean water tank is empty.	Fill the clean water tank.
	Clean water tank is not installed correctly.	Check the clean water tank for correct installation. Ensure it is installed in place.
	The cleaner is overheated.	Unplug the power cord and let the cleaner cool down for 30 minutes. Restart the cleaner. If the problem persists, call 1-877-531-7321 (US) / 1-844-608-3081 (CA) for assistance.
Hose nozzle will not spray after filling the clean water tank.	Air is trapped in the pump and hose.	Turn on the cleaner. If hose does not spray, prime the pump by lowering the hose down to the floor and hold the trigger for up to 1 minute.
Motor noise becomes high-pitched.	Dirty water tank is full.	Empty the dirty water tank.
	The flexible hose is clogged.	Clean the hose. Follow instructions on page 15.
	The float in the dirty water tank has been activated.	Empty and clean the dirty water tank.

TABLA DE CONTENIDOS

Antes de usar su nueva limpiadora de alfombras	1
Lista de piezas incluidas	1
Instrucciones de seguridad importantes.....	2-3
Instrucciones sobre el aislamiento doble.....	4
Garantía de la limpiadora de alfombras.....	5
Piezas y características	6
Instrucciones de ensamblaje.....	7-8
Instrucciones de uso	8-11
Desempeño/características de seguridad.....	12
Mantenimiento y cuidado	12-14
Resolución de problemas.....	15-16
Solicitud de asistencia o servicio.....	Tapa trasera

ANTES DE USAR SU NUEVA LIMPIADORA DE ALFOMBRAS

Lea esta guía de uso y cuidado. Lo ayudará a ensamblar y operar su nueva limpiadora de alfombras Kenmore de la manera más segura y efectiva posible.

Por más información sobre el cuidado y operación de la limpiadora de alfombras, llame a la Línea de ayuda para aspiradoras al 1-877-531-7321 (EE. UU.) / 1-844-608-3081 (Canadá). Necesitará el modelo completo y los números de serie al solicitar información.

El modelo de su limpiadora de alfombras y los números de serie se ubican en la placa de modelo y número de serie. Use el siguiente espacio para registrar el número de modelo y el número de serie de su nueva limpiadora de alfombras Kenmore.

N° de modelo _____

N° de serie _____

Fecha de compra _____

Guarde este libro y su boleta (recibo) de venta en un lugar seguro para usarlos como referencia a futuro.

LISTA DE PIEZAS INCLUIDAS

Su LIMPIADORA DE MANCHAS DE ALFOMBRAS incluye las siguientes partes y componentes ensamblados por separado en la caja:

- 1 Aspiradora de manchas
- 1 Herramienta para manchas resistentes
- 1 Herramienta para camino ancho
- 1 Guía de uso y cuidado
- 1 Solución de limpieza de alfombras de 8 onzas
- 1 Soporte de almacenamiento de la manguera (con 1 tornillo preinstalado)

INSTRUCCIONES DE SEGURIDAD IMPORTANTES

Lea todas las instrucciones de esta guía antes de ensamblar o usar su limpiadora de alfombras.

ADVERTENCIA

Su seguridad es importante para nosotros. Para reducir el riesgo de incendio, descarga eléctrica, lesiones a personas o daños al utilizar su limpiadora de alfombras, siga las precauciones de seguridad básicas, incluidas las siguientes:

- Utilice solo su limpiadora de alfombras solo como se indica en esta guía de uso y cuidado. Utilice solo los accesorios recomendados por el fabricante.
- Ensamblar completamente antes de usar.
- Solo use la limpiadora con el voltaje especificado en su placa de datos.
- No deje la limpiadora de alfombras sin supervisión en caso de que esté conectada. Desconéctela del tomacorriente cuando no esté en uso y antes de realizarle mantenimiento.
- No exponer a la lluvia. Almacenar en interiores.
- No sumergir. Solo usar sobre alfombras humedecidas según el proceso de limpieza.
- No permita que se utilice como un juguete. Se debe prestar estricta atención cuando el aparato lo usen niños o cuando se use cerca de ellos.
- No utilizar si la clavija o cable están dañados. Si la limpiadora de alfombras no está funcionando como debería, se ha caído, dañado, ha quedado a la intemperie o se ha caído al agua, deje de usarla inmediatamente y llame al 1-877-531-7321 (US) / 1-844-608-3081 (CA) para solicitar asistencia.
- No tire o transporte el aparato utilizando el cable como a modo de empuñadura, no apriete el cable al cerrar puertas ni pase el cable cerca de bordes afilados o esquinas. No pase la limpiadora de alfombras sobre su cable. Mantenga el cable alejado de superficies calientes.
- No desconecte tirando del cable. Para desconectarlo tire de la clavija, no del cable.
- No manipule la clavija o la limpiadora de alfombras con las manos mojadas.
- No ponga objetos sobre las aberturas.
- No lo utilice si las aberturas están bloqueadas; tenga cuidado que no haya polvo, cabellos, pelusas en las aberturas o cualquier cosa que pueda reducir el flujo de aire.
- Mantenga su cabello, ropas holgadas, dedos y partes de su cuerpo lejos de las aberturas y piezas móviles del producto.
- Apague todos los controles antes de desconectar el dispositivo.
- Tenga precaución adicional al limpiar en escaleras. Para evitar lesiones personales o daños, y para evitar que se caiga la limpiadora de alfombras, siempre coloque la limpiadora de alfombras en la parte inferior de una escalera o sobre el piso. No coloque la limpiadora de alfombras sobre escaleras o muebles, ya que esto podría causar lesiones o daños.
- No la ponga sobre sillas, mesas, etc. Manténgala sobre el piso.
- No utilice la limpiadora de alfombras para aspirar líquidos inflamables o combustibles (gasolina, líquidos de limpieza, perfumes, etc.) ni tampoco la utilice en lugares donde tales líquidos puedan estar presentes. Los gases de

INSTRUCCIONES DE SEGURIDAD IMPORTANTES

esas sustancias pueden crear un peligro de incendio o explosión.

- No aspire materiales tóxicos, a fin de reducir el riesgo de peligros provocados por vapores o polvo.
- No la use ni almacene cerca de materiales peligrosos.
- No aspire elementos que estén en llamas o humeando, tales como cigarrillos, fósforos o cenizas calientes.
- No use la limpiadora de alfombras sin sus tanques colocados.
- No limpie sobre tomacorrientes de piso.
- No use la limpiadora de alfombras para aspirar objetos afilados, juguetes pequeños, alfileres, sujetapapeles, etc., ya que podría dañar la limpiadora de alfombras o el recipiente de polvo.
- No use objetos afilados para limpiar la manguera, ya que podrían dañarla.
- Para ayudar a prevenir el enmascado y el re-ensuciado, evite el contacto con alfombras hasta que estén secas. Mantenga a los niños y mascotas lejos de las alfombras hasta que estén completamente secas.

- No almacene la limpiadora de alfombras sin solución en los tanques.
- Esta limpiadora de alfombras está provista de doble aislamiento. Utilice solo piezas de repuesto idénticas. Consulte INSTRUCCIONES SOBRE EL AISLAMIENTO DOBLE.
- Usted es responsable de garantizar que nadie que no sea capaz de operar su limpiadora de alfombras adecuadamente lo haga.

PRECAUCIÓN

Para reducir el riesgo de lesiones provocadas por las piezas móviles, desconecte el producto antes de realizarle mantenimiento.

ADVERTENCIA

Para evitar el riesgo de sufrir descargas eléctricas, desconecte la aspiradora antes de limpiarla o realizarle mantenimiento.

GUARDE ESTAS INSTRUCCIONES

El correcto ensamblaje y el uso seguro de su limpiadora de alfombras son su responsabilidad. Su limpiadora de alfombras solo está diseñada para **uso doméstico**. Lea esta guía de uso y cuidado para obtener información importante sobre uso y seguridad. Esta guía contiene afirmaciones de seguridad bajo símbolos de advertencia y precaución.

INSTRUCCIONES SOBRE EL AISLAMIENTO DOBLE

Esta limpiadora de alfombras tiene doble aislación, lo que elimina la necesidad de un sistema de conexión a tierra independiente. Utilice solo piezas de repuesto idénticas. Lea las instrucciones de mantenimiento de limpiadoras de alfombras de doble aislamiento antes de realizar su mantenimiento. Use esta limpiadora de alfombras como se describe en este manual.

Observe las siguientes advertencias que aparecen en la carcasa del motor de su limpiadora de alfombras.



Doble aislación - No requiere conexión a tierra - Al realizar tareas de mantenimiento use únicamente repuestos idénticos.



ADVERTENCIA

Para reducir el riesgo de descarga eléctrica, no exponer a la lluvia. Almacenar en interiores.




ADVERTENCIA

Para su propia seguridad, lea y comprenda la Guía de uso y cuidado. No utilizar sin supervisión. No recoja cenizas calientes, carbones, materiales tóxicos, inflamables u otros materiales peligrosos. No utilizar alrededor de líquidos o vapores explosivos.



ADVERTENCIA

Mantenimiento de Limpiadoras de alfombras con doble aislación

Las limpiadoras de alfombras de doble aislación cuentan con dos sistemas de aislación en vez de una conexión a tierra. No se proporciona ningún medio de conexión a tierra en un aparato con doble aislamiento, ni se debe agregar un medio para la conexión a tierra. Para realizar tareas de mantenimiento sobre una limpiadora de alfombras de doble aislamiento, se necesita de un cuidado extremo y conocimientos sobre el sistema, y debería realizarlo únicamente personal de servicio calificado. Los repuestos para la limpiadora de alfombras con doble aislamiento deben ser partes idénticas a las que reemplazan. Su limpiadora de alfombras con doble aislamiento tiene una marca con las palabras "Double Insulated" (Doble aislamiento) y el símbolo  también podría estar presente en el electrodoméstico.

GARANTÍA DE LA LIMPIADORA DE ALFOMBRAS

GARANTÍA LIMITADA

DURANTE UN AÑO a contar de la fecha de venta, este producto está garantizado contra defectos en sus materiales o fabricación.

Un producto defectuoso puede reemplazarse por uno nuevo, de manera gratuita, considerando que se presente una PRUEBA DE VENTA.

La marca Kenmore se utiliza bajo licencia. Dirija sus reclamaciones de garantía a: 1-877-531-7321 (Estados Unidos) / 1-844-608-3081 (Canadá).

Esta garantía queda nula si el producto llega a usarse para algún propósito que no sea el uso privado doméstico. Esta garantía le entrega derechos legales específicos que pueden variar según su estado (podría tener otros derechos adicionales).

Cleva North America, Inc., Greenville SC 29607

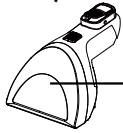
PIEZAS Y CARACTERÍSTICAS

Es importante conocer las partes y características de su limpiadora de alfombras para garantizar su uso adecuado y seguro. Revise estas indicaciones antes de usar su limpiadora de alfombras.

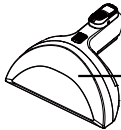
PIEZAS DE REPUESTO

Artículo	N° de parte (Estados Unidos)	Nro. de parte (Canadá)
Herramienta para manchas resistentes de 3,5 pulg.	591033101	591033101
Herramienta para camino ancho de 6,5 pulg.	591033102	591033102

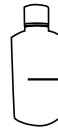
Para solicitar una pieza de repuesto, llame al 1-877-531-7321 (EE. UU.) / 1-844-608-3081 (Canadá).



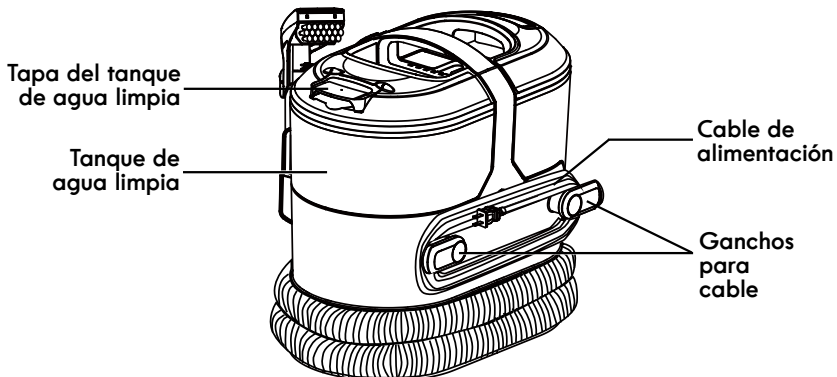
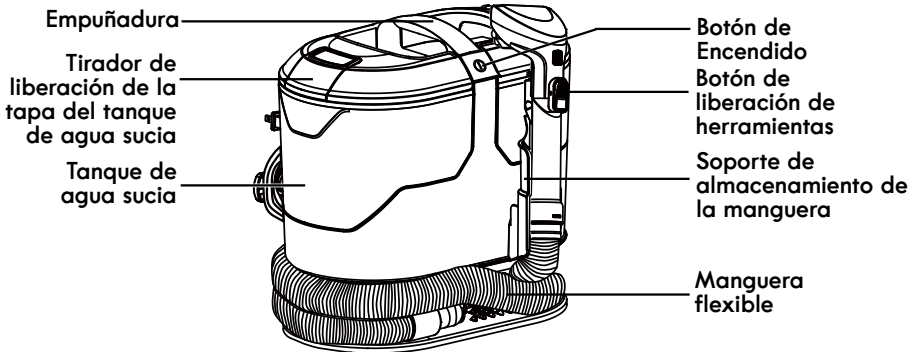
Herramienta para manchas resistentes



Herramienta para camino ancho



Solución de limpieza de alfombras





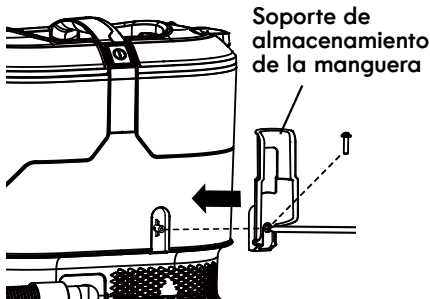
Preste especial atención a estos cuadros de alerta de peligro y siga todas las instrucciones indicadas. Las declaraciones de **ADVERTENCIA** lo alertan sobre riesgos tales como incendio, descarga eléctrica, quemaduras y lesiones personales. Las declaraciones de **PRECAUCIÓN** lo alertan sobre riesgos tales como lesiones personales o daño a la propiedad.

INSTRUCCIONES DE ENSAMBLAJE

Antes de armar la limpiadora de alfombras, revise la LISTA DE PIEZAS INCLUIDAS (página 1). Utilice esta lista para comprobar que ha recibido todos los componentes de su nueva limpiadora de manchas de alfombras Kenmore.

1. Suelte el tornillo preinstalado del soporte de almacenamiento de la manguera. Asegure el soporte de almacenamiento de la manguera en el cuerpo del limpiador alfombra usando el tornillo.

NOTA: Use un destornillador Phillips para apretar el tornillo. Asegúrese de que el tornillo haya quedado apretado.

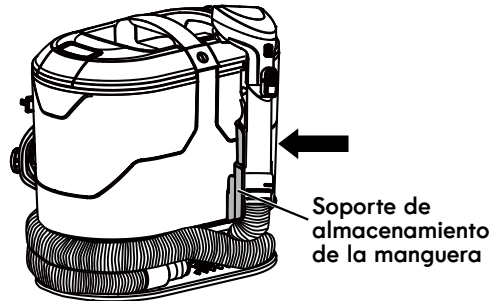


2. Elija la herramienta deseada e insértela en el extremo de la manguera hasta escuchar un "clic".

Para sacarla: Presione el botón de liberación de herramientas y extraiga la herramienta.

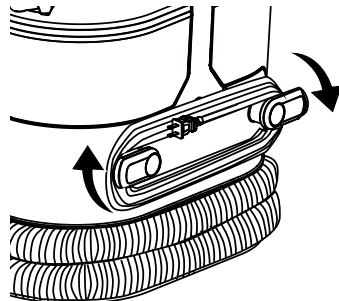


NOTA: Haga calzar el extremo de la manguera con la herramienta instalada en el soporte de almacenamiento de la manguera cuando no esté en uso.



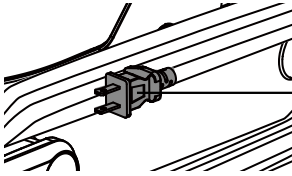
3. Asegúrese de que ambos ganchos para cable estén en la posición correcta como se indica. Envuelva el cable de alimentación sin apretar alrededor de los ganchos del cable.

NOTA: Asegúrese de enrollar el cable de alimentación en el gancho derecho primero y, luego, alrededor del gancho izquierdo para así evitar dañar el cable.



INSTRUCCIONES DE ENSAMBLAJE

4. Fije el enchufe correspondiente al cable de alimentación.



Enchufe del cable de alimentación



ADVERTENCIA

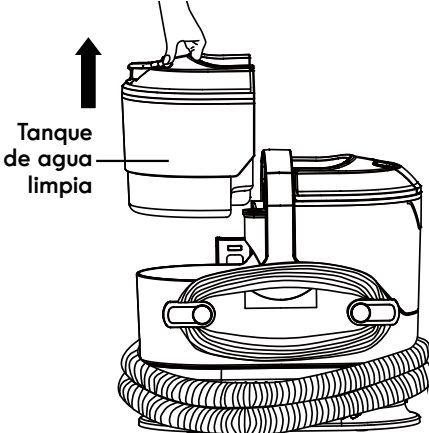
Riesgo de descarga eléctrica y lesiones personales

Enrollar el cable demasiado firme y con tensión excesiva puede provocar daños. Un cable dañado representa un peligro de descarga eléctrica y podría causar lesiones a las personas o daños.

INSTRUCCIONES DE USO

LLENADO DEL TANQUE DE AGUA LIMPIA

1. Levante el tanque de agua limpia desde el costado de la unidad.



2. Abra la tapa del tanque de agua limpia. Llene el tanque con agua a temperatura ambiente hasta la línea de llenado de agua deseada (para accidentes PEQUEÑOS o GRANDES). Para un trabajo pequeño, agregue al tanque 3 tapas llenas de solución de limpieza. Para un trabajo grande, agregue 9 tapas llenas de solución de limpieza.

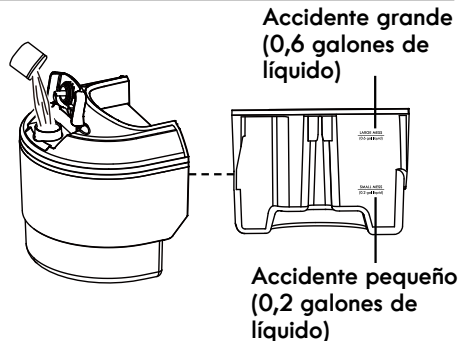
Agua a temperatura ambiente	Solución de limpieza Kenmore
Accidente pequeño – línea de llenado inferior (0,2 galones de líquido)	3 tapas
Accidente grande – línea de llenado superior (0,6 galones de líquido)	9 tapas

Siga las instrucciones del fabricante al usar otras marcas de soluciones de limpieza.



PRECAUCIÓN

No llene con agua a más de 104°F (40 °C).

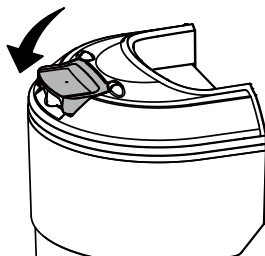


LLENADO DEL TANQUE DE AGUA LIMPIA

NOTA: Esta limpiadora de alfombras viene con una botella de solución de limpieza de 8 onzas (236 ml) incluida. Asegúrese de que la solución de limpieza y el agua estén bien mezcladas. El agua debe estar a temperatura ambiente. Al agotarse, la solución de limpieza se puede reemplazar por una solución de limpieza de alfombras de alta calidad, la cual puede comprarse en tiendas locales.

NOTA: Usa más de la cantidad recomendada de solución de limpieza podría generar un exceso de espuma. **MANTENER FUERA DEL ALCANCE DE LOS NIÑOS.** En caso de contacto con los ojos, enjuáguelos bien con agua fría. Si la irritación continúa, consulte a un médico.

3. Vuelva a colocar la tapa del tanque de agua limpia en su posición de forma que haga "clic".



4. Deslice el tanque de agua limpia para introducirlo nuevamente en la unidad y presione hacia abajo con firmeza hasta que quede fijo.

USO DE LA LIMPIADORA DE MANCHAS DE ALFOMBRA

NOTA: Antes de usar la limpiadora de alfombras, use una aspiradora para quitar la suciedad no fijada al área a limpiar. Pruebe en un área pequeña oculta que no se decolore. Frote suavemente la superficie con un paño blanco humedecido. Espere 10 minutos y use una toalla de papel blanca para verificar que no se haya decolorado. Si el color cambia, no use el equipo.

NOTA: Para evitar manchas, use un film plástico o papel de aluminio para proteger las superficies de madera o metal de posibles salpicaduras de agua.

Para proteger los pisos de madera de debajo de tapetes o alfombras, coloque un material impermeable (como plástico) debajo de ellos antes de limpiarlos.

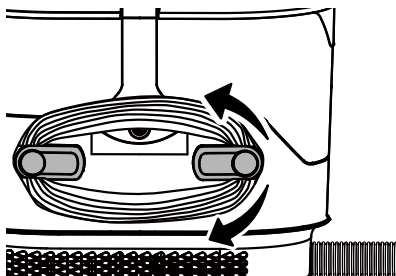
1. Desenrosque la manguera de la unidad. Elija la herramienta deseada y asegúrese de colocarla de forma segura.

Herramienta para manchas resistentes de 3,5 pulg.: Úsela para manchas en

alfombras, muebles y otras superficies de difícil acceso.

Herramienta para camino ancho de 6,5 pulg. Úsela para limpiar escaleras y grandes áreas de muebles.

2. Gire los ganchos del cable hacia adentro desde cualquiera de ambos lados para liberar el cable de alimentación.



USO DE LA LIMPIADORA DE MANCHAS DE ALFOMBRA

ADVERTENCIA

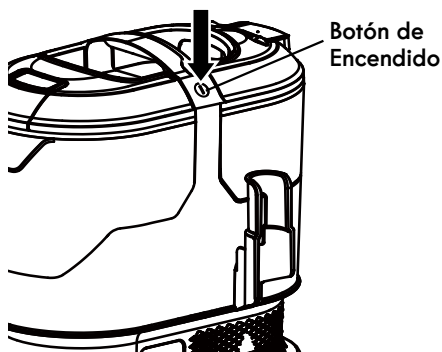
Para reducir el riesgo de descarga eléctrica, este electrodoméstico posee una clavija polarizada (una punta es más ancha que la otra). Esta clavija calzará en la toma de corriente de pared polarizado solo en una posición. Si la clavija no entra completamente en la toma de corriente, póngala al revés. Si aún no calza, contacte a un técnico electricista calificado que pueda ayudarle a instalar la toma de corriente indicado. No modifique la clavija de ningún modo.

ADVERTENCIA

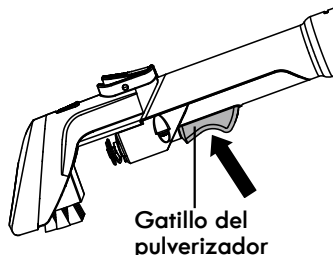
Riesgo de daños al producto y lesiones personales

- Cuando ocurra una anomalía/falla, deje de usar el producto inmediatamente y desconecte la clavija.
- **NO** limpie sobre tomacorrientes de piso. Después del uso, goteará agua de la herramienta y podría crear un charco.

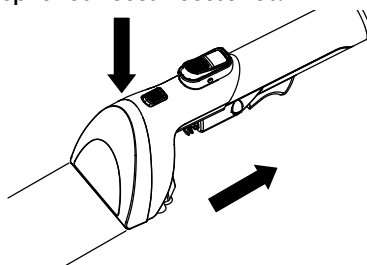
3. Separe la clavija del cable de alimentación. Enchufe el cable de alimentación a un tomacorriente que se encuentre cerca del piso.
4. Presione el botón de encendido para encender la limpiadora de alfombras.



5. Sostenga la herramienta aproximadamente 1 pulg. encima de la mancha a limpiar. Oprima el gatillo del pulverizador para pulverizar una cantidad generosa de solución de limpieza sobre el área sucia. Use el cepillo de frotar adelante y atrás con el fin de aflojar las manchas.



6. Para extraer la mancha, presione hacia abajo en la parte delantera de la herramienta de limpieza y mueva la herramienta lentamente hacia atrás para aspirar el exceso de líquidos sucios. Repita las veces necesarias.



7. Cuando el líquido sucio alcance la línea de "Llenado máx." y note una pérdida de succión, vacíe el tanque de agua sucia. Consulte las instrucciones de VACIADO DEL TANQUE DE AGUA SUCIA (página 11).
8. Una vez haya terminado de limpiar, pulse el botón de encendido y desenchufe el cable de alimentación del tomacorriente.
9. Gire los ganchos del cable hacia su posición adecuada y enrosque el cable (sin apretarlo) alrededor de los ganchos del cable.

VACIADO DEL TANQUE DE AGUA SUCIA

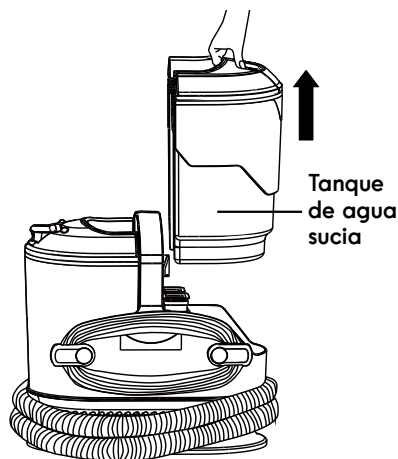


ADVERTENCIA

Desconecte siempre el cable de alimentación de la toma de corriente antes de realizar cualquier reparación o limpieza en la limpiadora de alfombras.

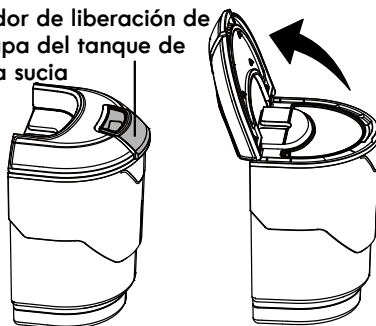
Cuando el líquido sucio alcance la línea de "Llenado máx." y note una pérdida de succión, vacíe el tanque de agua sucia. Durante el uso normal podrían acumularse residuos en el tanque de agua sucia. Para mantener el buen funcionamiento de la limpiadora de alfombras, enjuague el tanque de agua sucia con agua limpia después de cada uso.

1. Levante el tanque de agua sucia desde el costado de la unidad.



2. Tire horizontalmente del seguro de liberación de la tapa del tanque de agua sucia para abrir la tapa.

Tirador de liberación de la tapa del tanque de agua sucia

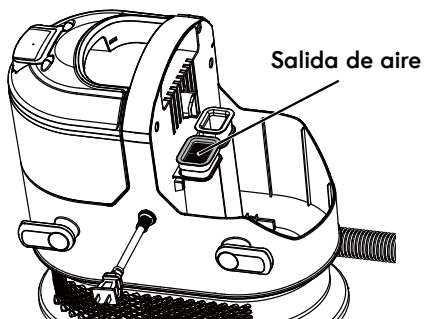


3. Vacíe el tanque. Drene los líquidos en un receptáculo o drenaje apto. Enjuague el tanque completamente con agua limpia. Espere a que el tanque se seque al aire antes de reinstalarlo.

NO lavar en lavavajillas.

NO lo instale húmedo.

4. Cierre la tapa del tanque. Presione el seguro de liberación de la tapa para que vuelva a su posición original, donde la tapa quedará fijada.
5. Antes de volver a colocar el tanque en la unidad, quite cualquier suciedad del área de salida de aire, como se muestra.



6. Vuelva a colocar el tanque de agua limpia en la unidad y presione hacia abajo con firmeza hasta que quede fijo.

DESEMPEÑO/CARACTERÍSTICAS DE SEGURIDAD

PROTECTOR TÉRMICO

Esta limpiadora de alfombras cuenta con una protección térmica que se dispara automáticamente para evitar que se sobrecaliente. Cuando se activa la protección térmica, la herramienta colocada dejará de vaporizar.

Para restablecer el protector térmico: Apague la limpiadora de alfombras y desconecte el cable de alimentación desde la toma de corriente para dejar enfriar la limpiadora de alfombras y que el protector térmico se restablezca.

Vacíe el tanque de agua sucia. De ser necesario, compruebe también que no haya obstrucciones. Espere aproximadamente 30 minutos antes de volver a encender la limpiadora de alfombras.

Si el problema persiste, contacte a la línea de ayuda de la aspiradora para obtener ayuda.

MANTENIMIENTO Y CUIDADO

Siga siempre todas las precauciones de seguridad al realizar mantenimiento a la limpiadora de alfombras.



ADVERTENCIA

Riesgo de descarga eléctrica y lesiones personales

Desconecte la limpiadora de alfombras de la toma de corriente antes de repararla o limpiarla. No hacer esto podría provocar descargas eléctricas o lesiones personales provocadas por un encendido súbito de la limpiadora de alfombras.

LIMPIEZA DEL EXTERIOR Y DE LOS ACCESORIOS

1. Apague y desconecte la limpiadora de alfombras. **NO** deje caer agua sobre la limpiadora de alfombras.
2. Para limpiar el exterior o para reducir la electricidad estática y la obstrucción de polvo, limpie la superficie exterior con un paño limpio y suave que se haya empapado con una solución de detergente líquido suave y agua para luego haberse estrujado. Seque después de limpiar.

NOTA: Lave los accesorios en agua tibia jabonosa, enjuague y seque al aire. No limpie estas piezas usando un lavavajillas.

ALMACENAMIENTO DE LA LIMPIADORA DE ALFOMBRAS



ADVERTENCIA

Riesgo de descarga eléctrica y lesiones personales

Enrollar el cable demasiado firme aplica tensión sobre el mismo y puede provocar daños. Un cable dañado representa un peligro de descarga eléctrica y podría causar lesiones a las personas o daños.

1. Coloque la manguera flexible y los accesorios en la posición de almacenamiento.
2. Reúna el cable y enróllelo con holgura alrededor de los ganchos del cable. Bloquee el retén de la clavija en el cable de alimentación.

3. Vacíe el tanque de agua limpia (de ser necesario) Enjuáguelo antes de volver a colocarlo en la unidad. Abra la tapa del tanque de agua limpia para permitir que se seque al aire.
4. Vacíe el tanque de agua sucia y enjuáguelo, lávelo y déjelo secar antes de volver a colocarlo en la unidad. La boca ancha del tanque está diseñada para que su mano pueda entrar para limpiarlo a fondo, enjuagarlo y secarlo.
5. Guarde la limpiadora de alfombras en un área interior seca, a temperatura ambiente.

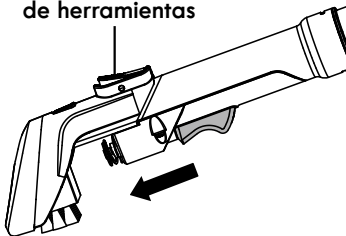
HERRAMIENTAS DE LIMPIEZA

Se recomienda limpiar las herramientas con agua después de cada uso.

NOTA: Cuando las herramientas están desgastadas o rotas, reemplácelas. Para comprar herramientas, llame al 1-877-531-7321 (US) / 1-844-608-3081 (CA).

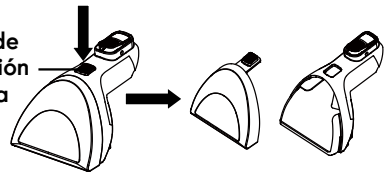
1. Presione el botón de liberación de herramientas para retirar la herramienta de la manguera.

Botón de liberación de herramientas

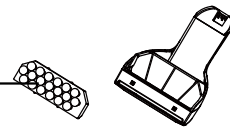


2. Presione en la herramienta el botón de liberación de la tapa y quite la tapa de la herramienta. De ser necesario, tire fuertemente del inserto para quitarlo y eliminarlo.

Botón de liberación de tapa



Inserte



3. Enjuague completamente con agua limpia. Espere a que las partes se sequen antes de reinstalarlas.

NO lavar en lavavajillas.

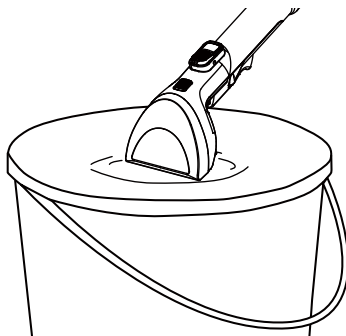
NO lo instale húmedo.

4. Vuelva a instalar la tapa de la herramienta y el inserto en su lugar hasta escuchar un clic.

LIMPIEZA DE LA MANGUERA FLEXIBLE

Se recomienda limpiar la manguera con agua limpia después de cada uso.

1. Vacíe el tanque de agua sucia.
Asegúrese de que tanto el tanque de agua limpia como el de agua sucia estén colocados correctamente en la unidad.
2. Instale la herramienta en el extremo de la manguera.
3. Succione agua limpia de un bol (o balde) para enjuagar la manguera.
Levante el extremo de la manguera y estírelo para asegurarse de que haya salido toda el agua.



RESOLUCIÓN DE PROBLEMAS

Revise estas soluciones tipo hágalo usted mismo para resolver problemas de rendimiento menores. Cualquier reparación necesaria que no sean los procedimientos de mantenimiento indicados en esta guía de uso y cuidado se deben realizar mediante un agente de servicio calificado.



ADVERTENCIA

Desconecte el suministro eléctrico antes de realizar cualquier trabajo de mantenimiento en la limpiadora de alfombras. El no seguir estas indicaciones puede provocar lesiones personales o descargas eléctricas.

PROBLEMA	CAUSA PROBABLE	SOLUCIÓN
La limpiadora no funciona.	Está desenchufada del tomacorriente.	Enchufe firmemente.
	Toma de corriente defectuosa.	Pruebe usando una lámpara o electrodoméstico que funcione correctamente. Asegúrese de que el cable de alimentación esté conectado completamente en una toma de corriente que esté funcionando.
	El motor está dañado.	Llame al 1-877-531-7321 (Estados Unidos) / 1-844-608-3081 (Canadá) para obtener ayuda.
Recolección de suciedad ineficiente.	El tanque de agua sucia no está instalado correctamente.	Verifique que el tanque de agua sucia esté instalado correctamente. Asegúrese de que esté instalado en su posición correcta.
	El tanque de agua sucia está lleno.	Vacíe el tanque de agua sucia.
	La manguera flexible está obstruida.	Limpie la manguera. Siga las instrucciones de la página 14.
La limpiadora pierde agua.	El tanque de agua sucia está lleno.	Vacíe el tanque de agua sucia.
	El tanque de agua sucia no está instalado correctamente.	Verifique que el tanque de agua sucia esté instalado correctamente. Asegúrese de que esté instalado en su posición correcta.
	El tanque de agua limpia no está instalado correctamente.	Verifique que el tanque de agua limpia esté instalado correctamente. Asegúrese de que esté instalado en su posición correcta.
La limpiadora no lanza agua.	El tanque de agua limpia está vacío.	Llene el tanque de agua limpia.
	El tanque de agua limpia no está instalado correctamente.	Verifique que el tanque de agua limpia esté instalado correctamente. Asegúrese de que esté instalado en su posición correcta.

RESOLUCIÓN DE PROBLEMAS

	La limpiadora se sobrecalentó.	Desconecte el cable de alimentación y deje enfriar la limpiadora durante 30 minutos. Reinicie la limpiadora. Si el problema no se soluciona, llame al 1-877-531-7321 (Estados Unidos) / 1-844-608-3081 (Canadá) para obtener ayuda.
La boquilla de la manguera no pulveriza después de haber llenado el tanque de agua limpia.	Hay aire atrapado en la bomba y la manguera.	Encienda la limpiadora. Si la manguera no pulveriza, deberá cebar la bomba. Para ello, deje la manguera a nivel de piso y mantenga el gatillo presionado durante hasta 1 minuto.
El ruido del motor se vuelve agudo.	El tanque de agua sucia está lleno.	Vacíe el tanque de agua sucia.
	La manguera flexible está obstruida.	Limpie la manguera. Siga las instrucciones de la página 14.
	Se ha activado la bolla del tanque de agua sucia.	Vacíe y limpie el tanque de agua sucia.

SOMMAIRE

Avant Toute Utilisation De Votre Nouveau Nettoyeur de Tapis	1
Liste du contenu.....	1
Consignes Importantes De Sécurité.....	2-3
Instructions relatives à la double isolation	4
Garantie Couvrant Le Nettoyeur De Tapis.....	5
Pièces et Fonctionnalités	6
Instructions de montage.....	7-8
Instructions d'utilisation	8-11
Caractéristiques de performance/sécurité.....	12
Entretien et Soins.....	12-14
Dépannage.....	15-16
Demande d'Aide ou d'un Service	Couverture Arrière

AVANT TOUTE UTILISATION DE VOTRE NOUVEAU NETTOYEUR DE TAPIS

Veuillez lire le présent Guide d'utilisation et d'entretien. Celui-ci vous permettra de monter et d'utiliser votre nouveau nettoyeur de tapis Kenmore de la manière la plus sûre et la plus efficace.

Pour de plus amples informations sur l'entretien et l'utilisation du nettoyeur de tapis, veuillez contacter la ligne téléphonique d'assistance pour les aspirateurs en composant le numéro: 1-877-531-7321 (États-Unis) / 1-844-608-3081 (Canada). Lorsque vous demandez des renseignements, vous devez disposer des numéros de modèle et de série complets du produit.

Les numéros de modèle et de série de votre nettoyeur de tapis se trouvent sur la Plaque Signalétique Des Numéros De Modèle Et De Série. Utilisez l'espace ci-dessous pour enregistrer le numéro de modèle et le numéro de série de votre nouveau nettoyeur de tapis Kenmore.

Modèle N° _____

N° de série _____

Date d'achat _____

Veuillez conserver en lieu sûr le présent manuel ainsi que votre ticket de caisse (reçu) afin de pouvoir vous y référer ultérieurement.

Liste du contenu

Votre NETTOYEUR DE TAPIS POUR TACHES KENMORE est emballé avec les pièces et composants suivants montés séparément dans le carton:

- 1 Aspirateur pour Taches
- 1 Outil D'Élimination De Souillures Tenaces
- 1 Outil De Nettoyage De Grandes Surfaces
- 1 Guide D'Utilisation Et D'Entretien
- 1 Formule De Nettoyage De Tapis de 8 on
- 1 Support De L'Emplacement De Rangement Du Tuyau (avec 1 vis préfixée)

CONSIGNES IMPORTANTES DE SÉCURITÉ

Veuillez lire l'intégralité des consignes contenues dans le présent guide avant de monter ou d'utiliser votre nettoyeur de tapis.

AVERTISSEMENT

Votre sécurité est importante pour nous. Afin de réduire tous risques d'incendie, d'électrocution, de blessures corporelles ou d'endommagement lors de l'utilisation de votre nettoyeur de tapis, veuillez respecter les consignes de sécurité élémentaires, notamment les suivantes:

- Utilisez votre nettoyeur de tapis uniquement conformément aux descriptions contenues dans le présent Guide d'Utilisation et d'Entretien. Utilisez exclusivement les accessoires recommandés par le fabricant.
- Montez complètement l'appareil avant de l'utiliser.
- Faites fonctionner le nettoyeur uniquement à la tension indiquée sur la plaque signalétique.
- Ne pas laisser le nettoyeur de tapis branché. Débranchez-le de la prise lorsque vous ne l'utilisez pas et avant de procéder à son entretien.
- À ne pas exposer à la pluie. Veillez à le ranger à l'intérieur.
- Ne pas plonger le produit dans de l'eau ou aucun autre liquide. Utilisez cet appareil uniquement sur des tapis humidifiés par le processus de nettoyage.
- Ne pas permettre que l'appareil soit utilisé comme un jouet. Soyez très attentif s'il est utilisé par des enfants ou si des enfants se trouvent à proximité.
- Ne pas utiliser avec un cordon ou une fiche endommagé(e). En cas de dysfonctionnement du nettoyeur de tapis, s'il est tombé, s'il a été endommagé, s'il a été laissé à l'extérieur ou s'il est tombé dans l'eau, cessez immédiatement de l'utiliser, puis composez le numéro : 1-877-531-7321 (États-Unis) / 1-844-608-3081 (Canada) pour obtenir de l'aide.
- Ne pas tirer ni porter l'appareil en utilisant le cordon. Ne pas utiliser celui-ci en guise de poignée ou pour fermer une porte et ne pas l'enrouler autour de bords coupants ou d'arêtes vives. Ne pas faire passer le nettoyeur de tapis sur le cordon. Maintenez le cordon à l'écart de toutes surfaces chaudes.
- Ne pas débrancher l'appareil en tirant sur le cordon. Pour débrancher le produit, saisissez la fiche, pas le cordon.
- Ne pas manipuler la fiche ou le nettoyeur de tapis avec des mains mouillées.
- N'introduire aucun objet dans les orifices de l'appareil.
- Ne pas utiliser l'appareil si un orifice est bouché. Faites en sorte que les orifices ne soient pas encombrés de poussières, peluches, cheveux ou de toute autre objet susceptible de gêner la circulation de l'air.
- Maintenez vos cheveux, vêtements amples, doigts et toutes parties du corps à l'écart des orifices et des pièces mobiles.
- Coupez toutes les commandes de l'appareil avant de le débrancher.
- Faites très attention lorsque vous nettoyez des escaliers. Afin de prévenir tous risques de blessures corporelles ou tout endommagement, et d'empêcher le nettoyeur de tapis de tomber, placez toujours le nettoyeur de tapis au bas des escaliers ou sur le plancher. Ne pas placer le nettoyeur de tapis sur les escaliers ou des meubles, car cela risque d'entraîner des blessures ou des

CONSIGNES IMPORTANTES DE SÉCURITÉ

dommages.

- Ne pas poser le produit sur des chaises, des tables, etc. Maintenez-le sur le plancher.
- Ne pas utiliser le nettoyeur de tapis pour ramasser des liquides inflammables ou combustibles (essence, liquide de nettoyage, parfums, etc.), ni dans des endroits où ceux-ci sont susceptibles d'être présents. Les vapeurs de ces substances peuvent créer un risque d'incendie ou d'explosion.
- Afin de réduire les risques pour la santé provenant des vapeurs ou poussières, n'aspirez pas de matières toxiques.
- Ne pas utiliser ni entreposer l'aspirateur à proximité de matériaux dangereux.
- Ne pas aspirer de matières en combustion ou qui dégagent de la fumée, telles que des cigarettes, des allumettes ou des cendres chaudes.
- Ne pas utiliser le nettoyeur de tapis sans les réservoirs en place.
- Ne pas nettoyer au-dessus des prises électriques au sol.
- Ne pas utiliser le nettoyeur de tapis pour ramasser des objets durs et pointus, des petits jouets, des épingles, des trombones, etc. Ceux-ci risquent d'endommager le nettoyeur de tapis ou le bac à poussière.
- Ne pas utiliser d'objets pointus pour nettoyer le tuyau, car ceux-ci risquent de l'endommager.
- Afin d'éviter que les tapis ne s'emmêlent ou de les salir à nouveau, évitez tout contact avec ceux-ci jusqu'à ce qu'ils soient secs. Maintenez les enfants et les animaux familiers à l'écart des tapis jusqu'à ce qu'ils soient complètement secs.
- Ne pas ranger le nettoyeur de tapis avec de la solution présente dans les réservoirs.
- Ce nettoyeur de tapis est doté d'une double isolation. Utilisez exclusivement des pièces de rechange identiques aux pièces d'origine. Voir la section « INSTRUCTIONS RELATIVES À LA DOUBLE ISOLATION ».
- Il vous incombe de veiller à ce que votre nettoyeur de tapis ne soit pas utilisé par une personne incapable de l'utiliser correctement.

ATTENTION

Afin de réduire tous risques de blessures dues à des pièces mobiles, débranchez l'appareil avant de procéder à sa réparation.

AVERTISSEMENT

Afin de réduire tous risques d'électrocution, débranchez l'appareil avant de procéder à son nettoyage ou à sa réparation.

VEUILLEZ CONSERVER LES PRÉSENTES CONSIGNES

Vous êtes responsable du montage correct et de l'utilisation sûre de votre nettoyeur de tapis. Votre nettoyeur de tapis est conçu pour un Usage Domestique. Lisez attentivement le présent guide d'utilisation et d'entretien pour connaître les consignes de sécurité et d'utilisation importantes qu'il contient. Le présent guide contient des consignes de sécurité sous des symboles d'avertissement et de mise en garde.

INSTRUCTIONS RELATIVES À LA DOUBLE ISOLATION

Ce nettoyeur de tapis est doté d'une double isolation, ce qui élimine le besoin d'un système de mise à la terre distinct. Utilisez exclusivement des pièces de rechange identiques aux pièces d'origine. Veuillez lire les instructions d'Entretien ou de Réparation des Nettoyeurs De Tapis À Double Isolation avant de procéder à leur entretien ou réparation. Utilisez ce nettoyeur de tapis conformément aux descriptions contenues dans le présent manuel.

Respectez les avertissements suivants qui figurent sur le caisson moteur de votre nettoyeur de tapis.



Double isolation - Mise à la terre non requise - Lors de l'entretien ou de la réparation, utilisez exclusivement des pièces de rechange identiques.



AVERTISSEMENT

Afin de réduire tous risques d'électrocution
- Ne pas exposer le produit à la pluie.
Rangez celui-ci à l'intérieur.




AVERTISSEMENT

Pour votre propre sécurité, veuillez lire et assimiler le Guide d'Utilisation et d'Entretien.
Ne pas faire fonctionner l'appareil sans surveillance. Ne pas aspirer de cendres chaudes, de charbons ou autres matériaux toxiques, inflammables ou dangereux.
Ne pas utiliser l'aspirateur à proximité de vapeurs ou liquides explosifs.



AVERTISSEMENT

Entretien ou réparation des Nettoyeurs De Tapis À Double Isolation

Dans le cas d'un nettoyeur de tapis à double isolation, deux systèmes d'isolation sont prévus à la place de la mise à la terre. Aucune mise à la terre n'est fournie sur un appareil à double isolation et il ne convient pas d'en ajouter une. L'entretien ou la réparation d'un nettoyeur de tapis à double isolation exige une attention extrême et une connaissance du système et doit être effectué exclusivement par du personnel de service qualifié. Les pièces de rechange d'un nettoyeur de tapis à double isolation doivent être identiques aux pièces qu'elles remplacent. Votre nettoyeur de tapis à double isolation porte la mention « Double isolation » et le symbole  (carré dans un carré) peut également être indiqué sur l'appareil.

GARANTIE COUVRANT LE NETTOYEUR DE TAPIS

GARANTIE LIMITÉE

PENDANT UN AN à compter de la date de vente, ce produit est garanti contre tout défaut de matériau ou de fabrication.

MUNI D'UNE PREUVE DE VENTE, tout produit défectueux peut être retourné au revendeur aux fins de remplacement gratuit.

La marque Kenmore est utilisée sous licence. Adressez toutes les demandes de service sous garantie en composant le numéro: 1-877-531-7321 (États-Unis) / 1-844-608-3081 (Canada).

La présente garantie sera nulle et non avenue en cas d'utilisation éventuelle de ce produit à toutes autres fins que personnelles et privées. La présente garantie vous accorde des droits spécifiques légaux, mais vous pouvez également avoir d'autres droits qui varient selon les États.

Cleva North America, Inc., Greenville SC 29607

PIÈCES ET FONCTIONNALITÉS

Il est important de connaître les pièces et les caractéristiques de votre nettoyeur de tapis afin de garantir une utilisation correcte et sûre. Examinez-les avant d'utiliser votre nettoyeur de tapis.

PIÈCES DE RECHANGE

Élément	Pièce N° (États-Unis)	Pièce N° (Canada)
Outil D'Élimination De Souillures Tenaces de 3,5 po	591033101	591033101
Outil De Nettoyage De Larges Surfaces de 6,5 po	591033102	591033102

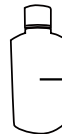
Pour passer commande d'une pièce de rechange, veuillez composer le numéro:
1-877-531-7321 (États-Unis) / 1-844-608-3081 (Canada).



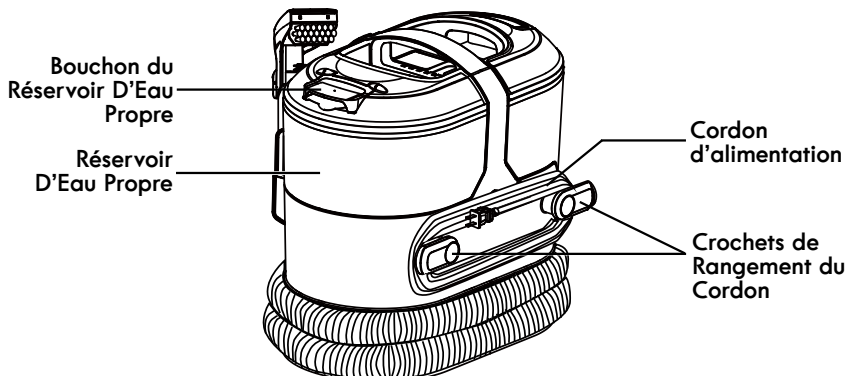
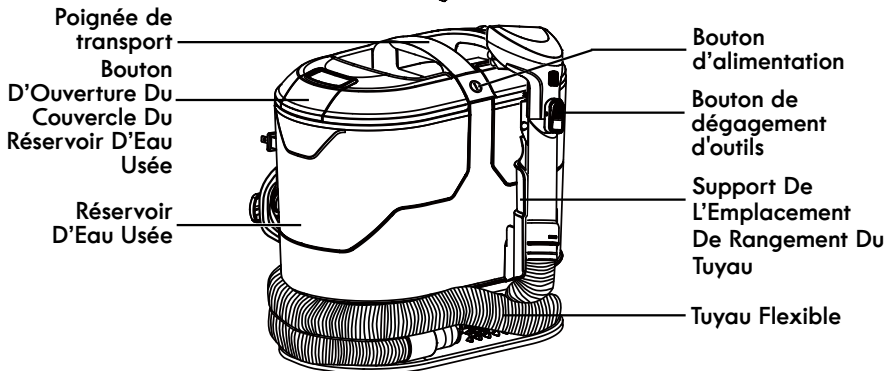
Outil
D'Élimination
De Souillures
Tenaces



Outil De
Nettoyage
De Larges
Surfaces



Formule De
Nettoyage de
Tapis





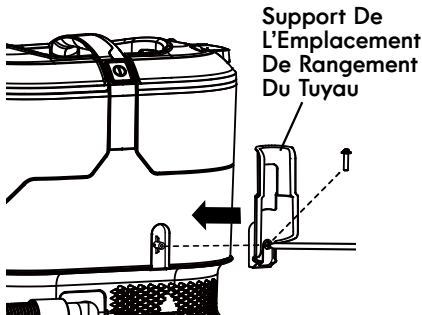
Veillez porter une attention particulière à ces boîtes d'alerte et suivre les instructions données. Les **AVERTISSEMENTS** vous alertent sur les dangers tels que les risques d'incendie, d'électrocution, de brûlures et de blessures corporelles. Les **MISES EN GARDE** vous alertent sur des risques tels que blessures corporelles et/ou dommages matériels.

INSTRUCTIONS DE MONTAGE

Avant de monter le nettoyeur de tapis, consultez la LISTE D'EMBALLAGE (page 1). Utilisez cette liste pour assurer que vous avez reçu tous les composants de votre nouveau Nettoyeur De Tapis Kenmore.

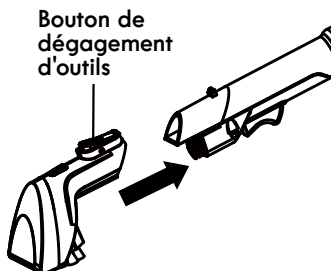
1. Desserrez la vis préfixée sur le support de l'emplacement de rangement du tuyau. Fixez solidement le support de l'emplacement de rangement du tuyau sur le corps du nettoyeur de tapis à l'aide la vis.

REMARQUE: Serrez la vis à l'aide d'un tournevis cruciforme. Assurez-vous que la vis est solidement serrée.

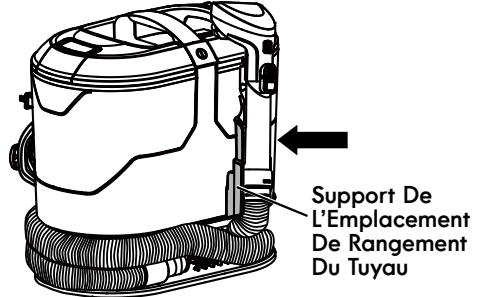


2. Sélectionnez l'outil de votre choix, puis faites-le glisser à l'extrémité du tuyau jusqu'à ce que vous entendiez un « clic ».

Pour retirer : Appuyez sur le bouton de dégagement d'outils, puis tirez sur l'outil pour le dégager.

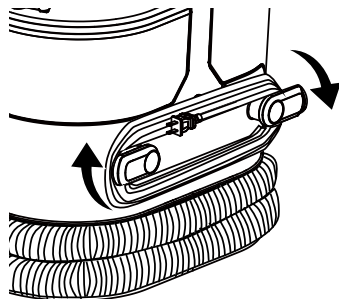


REMARQUE: Enclenchez l'extrémité du tuyau avec l'outil installé dans le support de l'emplacement de rangement du tuyau lorsque vous ne l'utilisez pas.



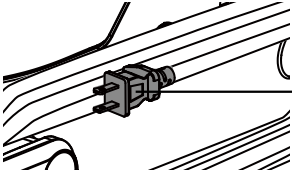
3. Assurez-vous que les deux crochets de rangement du cordon sont correctement positionnés, ainsi qu'illustré. Enroulez le cordon d'alimentation sans le serrer autour des crochets de rangement du cordon.

REMARQUE: Veillez à enrouler en premier lieu le cordon d'alimentation autour du crochet de rangement du cordon droit, puis autour du crochet de rangement du cordon gauche afin d'éviter d'endommager le cordon d'alimentation.



INSTRUCTIONS DE MONTAGE

4. Verrouillez la fiche du cordon d'alimentation sur le cordon d'alimentation.



Fiche Du Cordon D'alimentation



AVERTISSEMENT

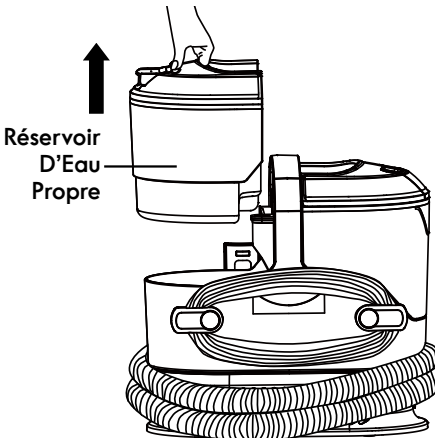
Risques D'Électrocution et De Blessures Corporelles

L'enroulement trop serré du cordon soumis à un stress excessif risque d'endommager celui-ci. Un cordon endommagé présente des risques d'électrocution et peut entraîner des blessures corporelles ou des dommages.

INSTRUCTIONS D'UTILISATION

REPLISSAGE DU RÉSERVOIR D'EAU PROPRE

1. Soulevez le réservoir d'eau propre pour le retirer du côté de l'appareil.



2. Ouvrez le bouchon du réservoir d'eau propre. Remplissez le réservoir d'eau à température ambiante jusqu'à la ligne de remplissage souhaitée (pour les PETITS ou IMPORTANTS dégâts). Pour de petits travaux, versez 3 bouchons de formule de nettoyage dans le réservoir. Pour des travaux importants, versez 9 bouchons de formule de nettoyage.

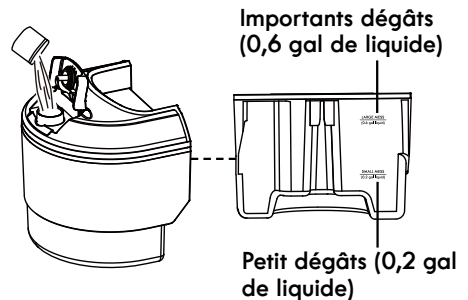
Eau À Température Ambiante	Formule de Nettoyage Kenmore
Petit dégâts : ligne de remplissage inférieure (0,2 gal de liquide)	3 bouchons
Importants dégâts : ligne de remplissage supérieure (0,6 gal de liquide)	9 bouchons

Veuillez respecter les instructions du fabricant lors de l'utilisation de toutes autres marques de solutions de nettoyage.



ATTENTION

Ne pas remplir avec de l'eau dont la température est supérieure à 104 °F (40 °C).

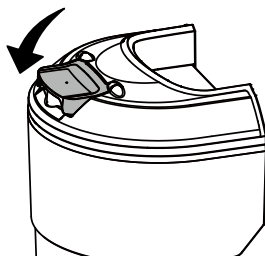


REMPLISSAGE DU RÉSERVOIR D'EAU PROPRE

REMARQUE: Une bouteille de 8 on (236 ml) de formule de nettoyage est livrée avec ce nettoyeur de tapis. Assurez-vous que la formule de nettoyage et l'eau sont mélangées correctement. L'eau doit être à la température ambiante. Une fois épuisée, la formule de nettoyage peut être remplacée par une solution liquide de nettoyage de tapis de haute qualité qui peut être achetée chez un détaillant de votre localité.

REMARQUE: L'utilisation d'une quantité de formule de nettoyage supérieure à celle recommandée peut favoriser la formation excessive de mousse. **TENIR HORS DE PORTÉE DES ENFANTS.** En cas de contact avec les yeux, rincez abondamment à l'eau froide. Si l'irritation persiste, consultez un médecin.

3. Remettez le bouchon du réservoir d'eau propre en place.



4. Faites glisser le réservoir d'eau propre dans l'appareil, en appuyant dessus fermement jusqu'à ce qu'il soit convenablement fixé.

UTILISATION DU NETTOYEUR DE TAPIS POUR TACHES

REMARQUE: Avant d'utiliser le nettoyeur de tapis, utilisez un aspirateur pour éliminer toute saleté détachée de la zone à nettoyer. Faites un essai sur une petite surface cachée afin d'en déterminer la solidité de la couleur. Frottez en douceur la surface à l'aide d'un chiffon blanc humide. Patientez 10 minutes, puis vérifiez la présence de décoloration éventuelle à l'aide d'une serviette en papier blanche. Si la couleur change, ne pas utiliser le produit.

REMARQUE: Pour éviter l'apparition de taches, utilisez du film plastique ou du papier d'aluminium pour protéger les surfaces métalliques ou en bois des éventuelles projections d'eau.

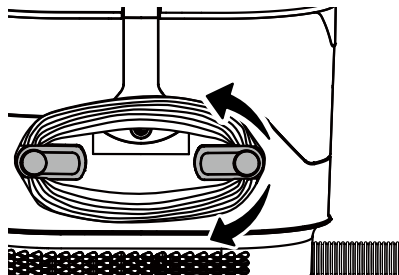
Pour protéger les parquets sous les tapis ou la moquette, placez un matériau imperméable (p. ex., du plastique) en dessous avant de procéder au nettoyage.

1. Déroulez le tuyau de l'appareil. Sélectionnez l'outil souhaité, puis assurez-vous qu'il est fixé solidement.

Outil D'Élimination De Souillures Tenaces de 3,5 po: Utilisez-le pour traiter les souillures présentes sur les tapis, les meubles et autres surfaces difficiles à atteindre.

Outil De Nettoyage De Grandes Surfaces de 6,5 po: Utilisez-le pour nettoyer les escaliers et de plus grandes surfaces de meubles.

2. Tournez les crochets de rangement du cordon vers l'intérieur de chaque côté afin de libérer le cordon d'alimentation.



UTILISATION DU NETTOYEUR DE TAPIS POUR TACHES

AVERTISSEMENT

Afin de réduire tous risques d'électrocution, cet appareil comporte une prise polarisée (une lame est plus large que l'autre). Il n'y a qu'une façon d'insérer la fiche dans une prise polarisée. Si la fiche ne s'insère pas entièrement dans la prise, inversez la fiche. Si elle ne s'insère toujours pas correctement, contactez un électricien qualifié afin qu'il installe une prise adaptée. Ne modifiez en aucun cas la fiche.

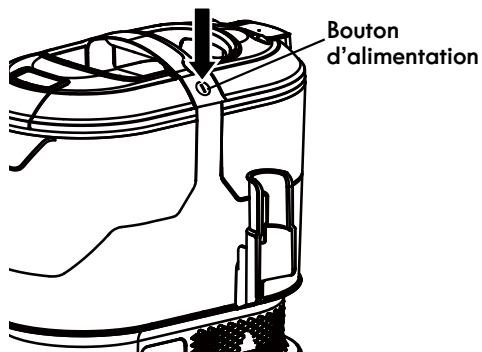
AVERTISSEMENT

Risques de blessures corporelles et de dommages matériels

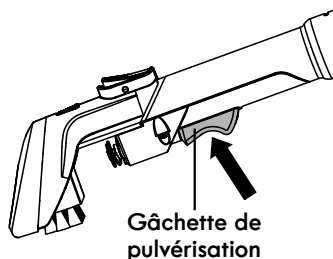
- En cas d'anomalie/de panne, cessez immédiatement d'utiliser le produit, puis débranchez la fiche d'alimentation.
- **NE PAS nettoyer au-dessus des prises électriques au sol.** L'eau s'égouttera de l'outil après utilisation et risque de former des flaques.

3. Détachez la fiche du cordon d'alimentation du cordon d'alimentation. Branchez la fiche du cordon d'alimentation à une prise de courant située près du plancher.

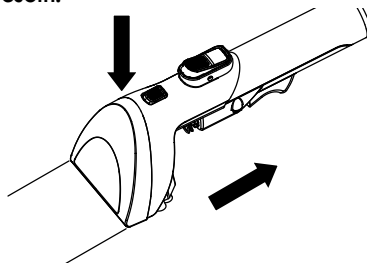
4. Appuyez sur le bouton d'alimentation pour mettre sous tension le nettoyeur de tapis.



5. Tenez l'outil à environ 1 pouce au-dessus de la souillure à nettoyer. Appuyez sur la gâchette pour pulvériser une quantité généreuse de solution de nettoyage sur la zone souillée. Utilisez la brosse de l'outil pour agiter les souillures en frottant dans un mouvement de va-et-vient.



6. Pour déloger la souillure, exercez une pression vers le bas sur l'avant de l'outil de nettoyage, puis tirez lentement l'outil vers l'arrière pour aspirer l'excès de liquides usés. Répétez l'opération au besoin.



7. Videz le réservoir d'eau usée lorsque le liquide usé atteint la ligne « Remplissage Max » et qu'il y a une perte d'aspiration. Voir les instructions de la section VIDANGE DU RÉSERVOIR D'EAU USÉE (page 11).

8. Une fois le nettoyage terminé, appuyez sur le bouton d'alimentation; débranchez la fiche du cordon d'alimentation de la prise.

9. Positionnez correctement les crochets de rangement du cordon, puis enroulez le cordon sans le serrer autour des crochets de rangement du cordon.

VIDANGE DU RÉSERVOIR D'EAU USÉE

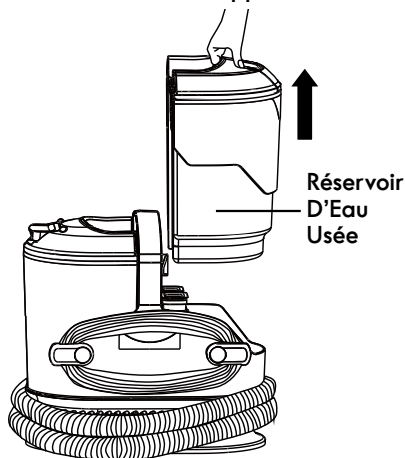


AVERTISSEMENT

Débranchez toujours le cordon d'alimentation de la prise électrique avant d'effectuer tout entretien ou toute réparation sur le nettoyeur de tapis.

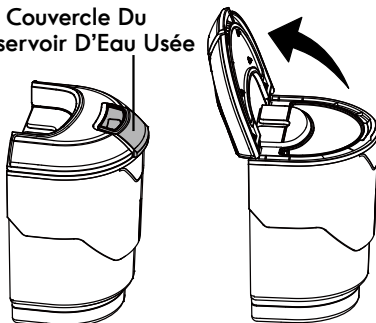
Videz le réservoir d'eau usée lorsque le liquide usé atteint la ligne « Remplissage Max » et qu'il y a une perte d'aspiration. En cours d'utilisation normale, des débris peuvent s'accumuler dans le réservoir d'eau usée. Pour que le nettoyeur de tapis fonctionne correctement, rincez le réservoir d'eau usée à l'eau propre après chaque utilisation.

1. Soulevez le réservoir d'eau usée pour le détacher du côté de l'appareil.



2. Tirez sur l'ouverture du couvercle du réservoir d'eau usée à l'horizontale, puis ouvrez le couvercle.

Bouton D'Ouverture
Du Couvercle Du
Réservoir D'Eau Usée

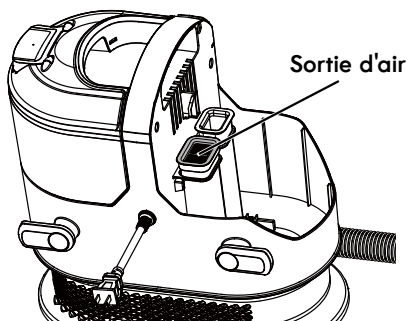


3. Videz le réservoir. Videz les liquides dans un récipient ou dans un système d'évacuation approprié. Rincez soigneusement le réservoir à l'eau propre. Laissez sécher le réservoir à l'air libre avant de le réinstaller.

NE PAS le laver au lave-vaisselle.

NE PAS l'installer humide.

4. Fermez le couvercle du réservoir. Repoussez le dispositif d'ouverture du couvercle à sa place initiale pour le fixer.
5. Avant de replacer le réservoir dans l'appareil, éliminez tous les débris de la zone de sortie d'air, ainsi qu'illustré.



6. Remplacez le réservoir d'eau usée dans l'appareil, en appuyant dessus fermement jusqu'à ce qu'il soit solidement fixé.

CARACTÉRISTIQUES DE PERFORMANCE/SÉCURITÉ

DISPOSITIF DE PROTECTION THERMIQUE

Ce nettoyeur de tapis est doté d'un dispositif de protection thermique qui se déclenche automatiquement pour le protéger de la surchauffe. Lorsque le dispositif de protection thermique s'active, l'outil fixé cesse de pulvériser.

Pour réinitialiser le dispositif de protection thermique: Mettez hors tension le nettoyeur de tapis, puis débranchez le cordon d'alimentation de la prise pour permettre au nettoyeur de tapis de refroidir et aux

dispositifs de protection thermique de se réinitialiser.

Videz le réservoir d'eau usée. Au besoin, assurez-vous également de l'absence de toutes obstructions éventuelles. Patientez environ 30 minutes avant de redémarrer le nettoyeur de tapis.

Si le problème persiste, contactez le service d'assistance téléphonique pour les aspirateurs pour obtenir de l'aide.

ENTRETIEN ET SOIN

Respectez toujours l'intégralité des consignes de sécurité lorsque vous effectuez l'entretien du nettoyeur de tapis.



AVERTISSEMENT

Risques D'Électrocution et De Blessures Corporelles

Coupez l'alimentation électrique avant de procéder à l'entretien ou à la réparation ou au nettoyage du nettoyeur de tapis. Le non-respect de cette consigne peut entraîner des risques d'électrocution ou des blessures corporelles en cas de démarrage soudain du nettoyeur de tapis.

NETTOYAGE DE L'EXTÉRIEUR ET DES ACCESSOIRES

1. Mettez hors tension, puis débranchez le nettoyeur de tapis. NE PAS laisser couler de l'eau sur le nettoyeur de tapis.
2. Pour nettoyer l'extérieur ou pour réduire l'électricité statique et l'accumulation de poussière, essuyez la surface extérieure à l'aide d'un chiffon propre et doux qui a été plongé dans une solution de détergent liquide doux et d'eau, puis essoré. Bien essuyer après nettoyage.

REMARQUE: Lavez les accessoires à l'eau tiède savonneuse, rincez-les, puis laissez-les sécher à l'air libre. Ne pas nettoyer au lave-vaisselle.

RANGEMENT DU NETTOYEUR DE TAPIS



AVERTISSEMENT

Risques D'Électrocution et De Blessures Corporelles

L'enroulement trop serré du cordon ajoute du stress à celui-ci et risque de l'endommager. Un cordon endommagé présente des risques d'électrocution et peut entraîner des blessures corporelles ou des dommages.

1. Remplacez le tuyau flexible et les accessoires en position de rangement.
2. Rassemblez le cordon, puis enroulez-le sans le serrer autour des crochets de rangement du cordon. Verrouillez le

dispositif de retenue de la fiche sur le cordon d'alimentation.

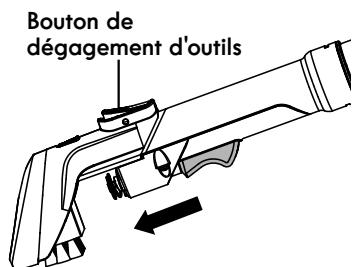
3. Videz le réservoir d'eau propre (au besoin). Rincez-le avant de le remettre sur l'appareil. Ouvrez le bouchon du réservoir d'eau propre pour le laisser sécher à l'air libre.
4. Videz le réservoir d'eau usée, puis rincez-le; nettoyez-le, puis séchez-le avant de le replacer sur l'appareil. La large ouverture du réservoir est conçue pour que votre main puisse y pénétrer afin de nettoyer, rincer et sécher à fond.
5. Rangez le nettoyeur de tapis dans un endroit sec, à l'intérieur et à la température ambiante.

OUTILS DE NETTOYAGE

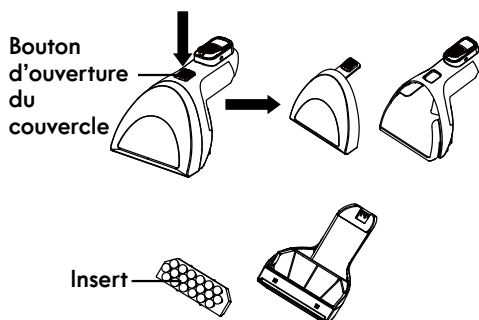
Nous vous recommandons de nettoyer les outils à l'eau après chaque utilisation.

REMARQUE: Lorsque les outils sont usés ou cassés, remplacez-les. Pour acheter des outils, composez le numéro: 1-877-531-7321 (États-Unis) / 1-844-608-3081 (Canada).

1. Appuyez sur le bouton de dégagement d'outils pour retirer l'outil du tuyau.



2. Appuyez sur le bouton d'ouverture du couvercle de l'outil, puis retirez le couvercle de l'outil. Retirez l'insert en le tirant avec force, au besoin.



3. Rincez abondamment à l'eau propre. Laissez les pièces sécher avant de les réinstaller.

NE PAS les laver au lave-vaisselle.

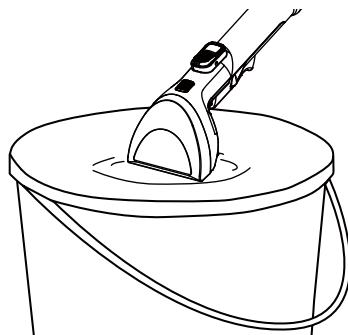
NE PAS les installer humides.

4. Réinstallez le couvercle de l'outil et l'insert en place jusqu'à ce qu'un déclic se fasse entendre.

NETTOYAGE DU TUYAU FLEXIBLE

Nous vous recommandons de nettoyer le tuyau à l'eau propre après chaque utilisation.

1. Videz le réservoir d'eau usée. Assurez-vous que le réservoir d'eau propre et le réservoir d'eau usée sont placés correctement sur l'appareil.
2. Installez l'outil à l'extrémité du tuyau.
3. Aspirez de l'eau propre dans un bol (ou un seau) pour rincer le tuyau. Soulevez l'extrémité du tuyau, puis étirez-le pour vous assurer que toute l'eau a été évacuée.



DÉPANNAGE

Consultez ce tableau pour trouver des solutions pratiques en cas de problèmes de performance mineurs. Tous travaux d'entretien ou de réparation nécessaires, autre que l'entretien décrit dans le présent Guide D'Utilisation Et D'Entretien, doit être effectué par un agent du service de réparation qui en possède les qualifications.



AVERTISSEMENT

Coupez l'alimentation électrique avant de procéder à l'entretien du nettoyeur de tapis. Le non-respect de cette disposition vous expose à des risques d'électrocution ou à des blessures corporelles.

PROBLÈME	CAUSE POSSIBLE	SOLUTION
Le nettoyeur ne fonctionne pas.	Il est débranché de la prise de courant.	Branchez-les fermement.
	Prise de courant défectueuse.	Vérifiez l'état de la prise à l'aide d'un bon appareil ou d'une bonne lampe. Assurez-vous que le cordon d'alimentation est branché à fond à une bonne prise de courant.
	Le moteur est endommagé.	Veillez composer le numéro: 1-877-531-7321 (États-Unis) / 1-844-608-3081 (Canada) pour obtenir de l'aide.
Mauvaise récupération des saletés.	Le réservoir d'eau usée n'est pas installé correctement.	Assurez-vous que le réservoir d'eau usée est correctement installé. Assurez-vous qu'il est convenablement installé.
	Le réservoir d'eau usée est plein.	Videz le réservoir d'eau usée.
	Le tuyau flexible est obstrué.	Nettoyez le tuyau. Suivez les instructions données en page 14.
De l'eau s'échappe du nettoyeur.	Le réservoir d'eau usée est plein.	Videz le réservoir d'eau usée.
	Le réservoir d'eau usée n'est pas installé correctement.	Assurez-vous que le réservoir d'eau usée est correctement installé. Assurez-vous qu'il est convenablement installé.
	Le réservoir d'eau propre n'est pas installé correctement.	Assurez-vous que le réservoir d'eau propre est correctement installé. Assurez-vous qu'il est convenablement installé.
Le nettoyeur ne diffuse pas de liquide.	Le réservoir d'eau propre est vide.	Remplissez le réservoir d'eau propre.
	Le réservoir d'eau propre n'est pas installé correctement.	Assurez-vous que le réservoir d'eau propre est correctement installé. Assurez-vous qu'il est convenablement installé.
	Le nettoyeur est en surchauffe.	Débranchez le cordon d'alimentation, puis laissez refroidir le nettoyeur pendant 30 minutes. Redémarrez le nettoyeur. Si le problème persiste, veuillez composer le numéro: 1-877-531-7321 (États-Unis) / 1-844-608-3081 (Canada) pour obtenir de l'aide.

DÉPANNAGE

L'embout du tuyau ne pulvérise pas après remplissage du réservoir d'eau propre.	De l'air est emprisonné dans la pompe et le tuyau.	Mettez sous tension le nettoyeur. Si le tuyau ne pulvérise pas, amorcez la pompe en abaissant le tuyau jusqu'au sol et maintenez enfoncée la gâchette pendant 1 minute au maximum.
Le bruit du moteur devient aigu.	Le réservoir d'eau usée est plein.	Videz le réservoir d'eau usée.
	Le tuyau flexible est obstrué.	Nettoyez le tuyau. Suivez les instructions données en page 14.
	Le flotteur du réservoir d'eau usée a été activé.	Videz et nettoyez le réservoir d'eau usée.

Kenmore^{®/MD}

Vacuum Cleaner Help Line

**Assistance téléphonique
pour les aspirateurs**

US: 1-877-531-7321

CA: 1-844-608-3081

8:00 am – 5:00 pm ET M-F

De 8 h à 17 h HE lun à ven

